






MUFA COMPRESIUNE		
		
D (mm)		
16	40	90
20	50	110
25	63	
32	75	


CAPAC COMPRESIUNE		
		
D (mm)		
16	40	90
20	50	110
25	63	
32	75	


COT 90° COMPRESIUNE		
		
D (mm)		
16	40	90
20	50	110
25	63	
32	75	


COT 90° COMPRESIUNE DERIVATIE CU F.E.		
		
D (mm)		
16x1/2"	32x1 1/4"	63x2"
16x3/4"	40x1"	63x2 1/2"
20x1/2"	40x1 1/4"	75x2"
20x3/4"	40x1 1/2"	75x2 1/2"
25x1/2"	40x2"	75x3"
25x3/4"	50x1 1/4"	90x3"
25x1"	50x1 1/2"	90x4"
32x3/4"	50x2"	110x4"
32x1"	63x1 1/2"	


COT 90° COMPRESIUNE DERIVATIE CU F.I.		
		
D (mm)		
16x1/2"	40x1 1/4"	
16x3/4"	50x1 1/2"	
20x1/2"	63x2"	
20x3/4"	75x2"	
25x3/4"	75x2 1/2"	
25x1"	90x2 1/2"	
32x3/4"	90x3"	
32x1"	110x3"	
40x1"		


RACORD COMPRESIUNE DERIVATIE CU F.E.		
		
D (mm)		
16x1/2"	32x1 1/4"	63x2"
16x3/4"	40x1"	63x2 1/2"
20x1/2"	40x1 1/4"	75x2"
20x3/4"	40x1 1/2"	75x2 1/2"
25x1/2"	40x2"	75x3"
25x3/4"	50x1 1/4"	90x3"
25x1"	50x1 1/2"	90x4"
32x3/4"	50x2"	110x4"
32x1"	63x1 1/2"	

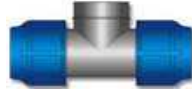
RACORD COMPRESIUNE DERIVATIE CU F.I.		
		
D (mm)		
16x1/2"	32x1 1/4"	63x2"
16x3/4"	40x1"	63x2 1/2"
20x1/2"	40x1 1/4"	75x2"
20x3/4"	40x1 1/2"	75x2 1/2"
25x1/2"	40x2"	75x3"
25x3/4"	50x1 1/4"	90x3"
25x1"	50x1 1/2"	90x4"
32x3/4"	50x2"	110x4"
32x1"	63x1 1/2"	


REDUCTIE COMPRESIUNE		
		
D (mm)		
20x16	63x50	
25x16	75x40	
25x20	75x50	
32x20	75x63	
32x25	90x63	
40x32	90x75	
50x40	110x75	
63x32	110x90	
63x40		


ADAPTOR FLANSA COMPRESIUNE		
		
D (mm)		
50	40	
63	50	
75	63	
90	75	
110	90	


TEU EGAL COMPRESIUNE	
	
D (mm)	
16	50
20	63
25	75
32	90
40	110

TEU COMPRESIUNE DERIVATIE F.E.		
		
D (mm)		
16x1/2"	32x1 1/4"	63x2"
16x3/4"	40x1"	63x2 1/2"
20x1/2"	40x1 1/4"	75x2"
20x3/4"	40x1 1/2"	75x2 1/2"
25x1/2"	40x2"	75x3"
25x3/4"	50x1 1/4"	90x3"
25x1"	50x1 1/2"	90x4"
32x3/4"	50x2"	110x3"
32x1"	63x1 1/2"	110x4"

TEU COMPRESIUNE DERIVATIE F.I.		
		
D (mm)		
16x1/2"	32x1 1/4"	63x2"
16x3/4"	40x1"	63x2 1/2"
20x1/2"	40x1 1/4"	75x2"
20x3/4"	40x1 1/2"	75x2 1/2"
25x1/2"	40x2"	75x3"
25x3/4"	50x1 1/4"	90x3"
25x1"	50x1 1/2"	90x4"
32x3/4"	50x2"	110x3"
32x1"	63x1 1/2"	110x4"

TEU REDUS COMPRESIUNE	
	
D (mm)	
20-16-20	50-40-50
25-20-25	63-50-63
32-25-32	75-63-75
40-32-40	90-75-90
50-32-50	110-90-110

SA BRANSARE COMPRESIUNE CU O IESIRE F.I.		
		
D (mm)		
25x1/2"	90x1 1/4"	160x4"
25x3/4"	90x1 1/2"	200x1"
32x1/2"	90x2"	200x1 1/4"
32x3/4"	110x1/2"	200x1 1/2"
32x1"	110x3/4"	200x2"
40x1/2"	110x1"	200x3"
40x3/4"	110x1 1/4"	200x4"
40x1"	110x1 1/2"	225x1"
50x1/2"	110x2"	225x1 1/4"
50x3/4"	110x2 1/2"	225x1 1/2"
50x1"	125x3/4"	225x2"
50x1 1/4"	125x1"	225x3"
63x1/2"	125x1 1/4"	225x4"
63x3/4"	125x1 1/2"	250x1"
63x1"	125x2"	250x1 1/4"
63x1 1/4"	125x2 1/2"	250x1 1/2"
63x1 1/2"	140x1"	250x2"
75x1/2"	140x1 1/4"	250x3"
75x3/4"	140x1 1/2"	250x4"
75x1"	140x2"	315x1"
75x1 1/4"	140x3"	315x1 1/4"
75x1 1/2"	160x1"	315x1 1/2"
75x2"	160x1 1/4"	315x2"
90x1/2"	160x1 1/2"	315x3"
90x3/4"	160x2"	315x4"
90x1"	160x3"	

SA BRANSARE COMPRESIUNE CU O IESIRE F.I. INTARIT		
		
D (mm)		
25x1/2"	90x1 1/4"	160x4"
25x3/4"	90x1 1/2"	200x1"
32x1/2"	90x2"	200x1 1/4"
32x3/4"	110x1/2"	200x1 1/2"
32x1"	110x3/4"	200x2"
40x1/2"	110x1"	200x3"
40x3/4"	110x1 1/4"	200x4"
40x1"	110x1 1/2"	225x1"
50x1/2"	110x2"	225x1 1/4"
50x3/4"	110x2 1/2"	225x1 1/2"
50x1"	125x3/4"	225x2"
50x1 1/4"	125x1"	225x3"
63x1/2"	125x1 1/4"	225x4"
63x3/4"	125x1 1/2"	250x1"
63x1"	125x2"	250x1 1/4"
63x1 1/4"	125x2 1/2"	250x1 1/2"
63x1 1/2"	140x1"	250x2"
75x1/2"	140x1 1/4"	250x3"
75x3/4"	140x1 1/2"	250x4"
75x1"	140x2"	315x1"
75x1 1/4"	140x3"	315x1 1/4"
75x1 1/2"	160x1"	315x1 1/2"
75x2"	160x1 1/4"	315x2"
90x1/2"	160x1 1/2"	315x3"
90x3/4"	160x2"	315x4"
90x1"	160x3"	